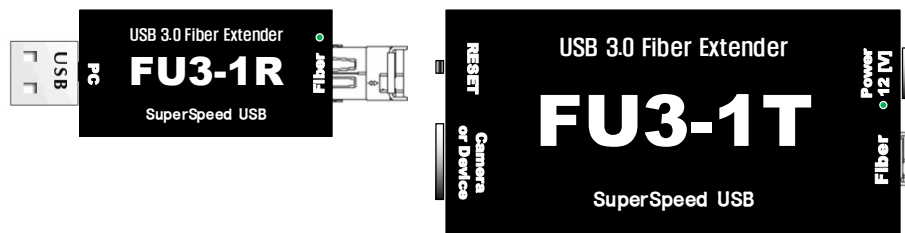


# USB 3.0 Fiber Extender

[FU3-1TR]

Product Introduction and user manual



## Index

<b>1. Introduction</b> .....	3
<b>2. Technical specification</b> .....	3
<b>3. Product installation</b> .....	4
➤ <b>Imaging device installation</b> .....	4
➤ <b>Display device installation</b> .....	4
➤ <b>Other device installation</b> .....	5
<b>4. Product dimension</b> .....	5
① <b>FU3-1R</b> .....	5
② <b>FU3-1T</b> .....	5

## 1. Introduction

The data transmission using USB 3.0 interface becomes popular. But USB 3.0 has 5.0 Gbps bandwidth at maximum. The higher transmission speed, the less transmission distance at maximum 5m. To solve this issue, it needs fiber optic cable conversion. In case, moving fiber optic cable can be adjusted.

### ◆ FU3-1TR features

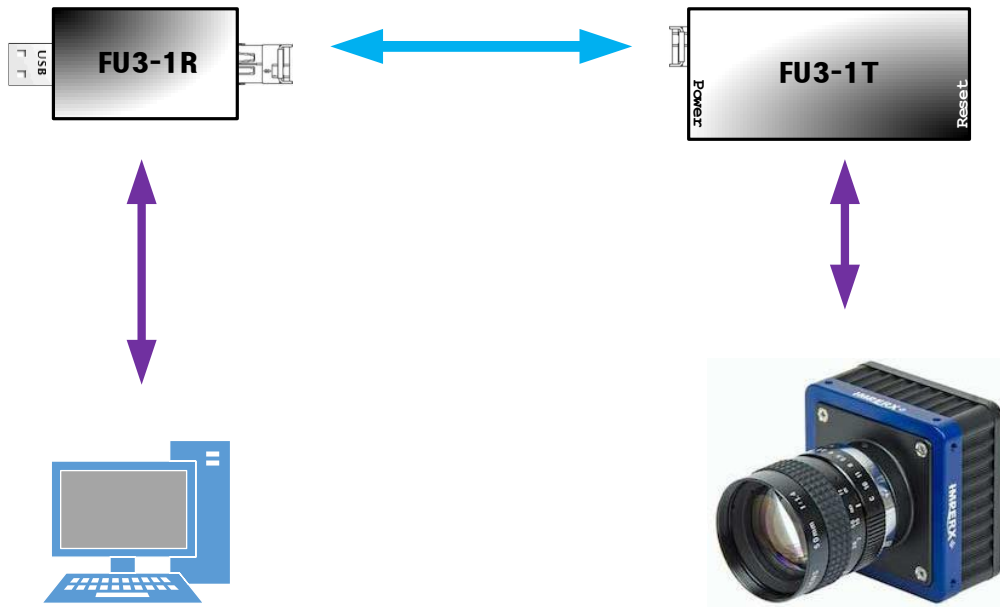
- **Max. transmission distance: Storage: 50 [m], Camera or Device: 100 [m] or more**
- **Plug & Play support**
- **USB3.0 SuperSpeed max. 5 [Gbps] support, USB 3.0 Type A connector**
- **USB 2.0 & USB 1.1 no support**

## 2. Technical specification

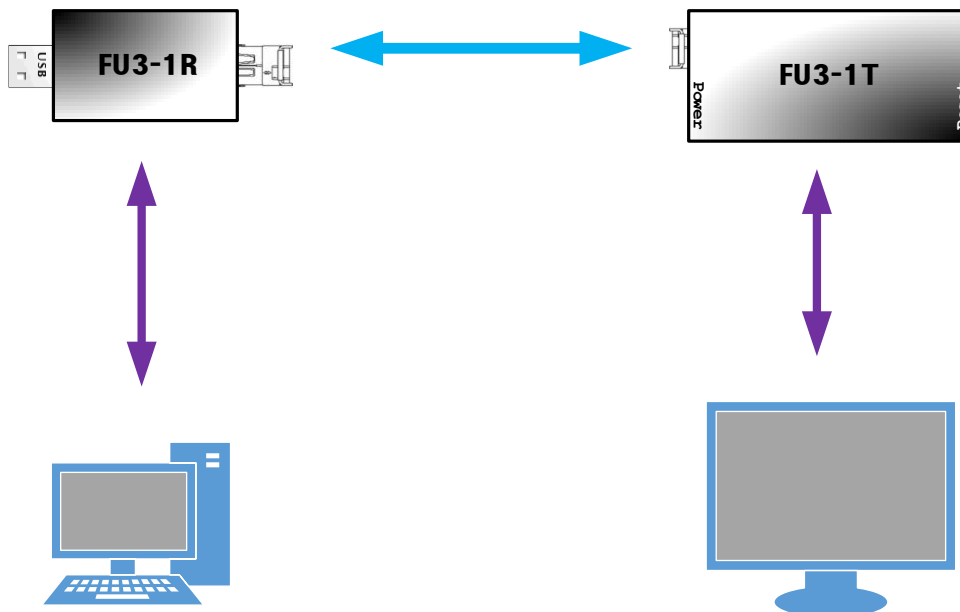
<b>Optical</b>	Connector	Duplex / Single LC
	Wave length	850 nm or 1310 nm/1550 nm
<b>Physical</b>	FU3-1T	35mm x 120mm x 20mm
	Weight	90 g
	FU3-1R	30mm x 90mm x 20mm
	Weight	60 g
<b>Power</b>	FU3-1T	DC 12 [V], Max 300 [mA]
	FU3-1R	PC USB, Max 200 [mA]
<b>Environment</b>	Working temperature	0 ~ 50 [°C]
	Storage temperature	- 40 ~ 85 [°C]
	Humidity	0 ~ 95 [%]

### 3. Product installation

- Imaging device installation
- Transmission of camera image to PC



- Display device installation
- Transmission from PC to monitor, using USB to HDMI/ DVI/ Display Port/ VGA converter

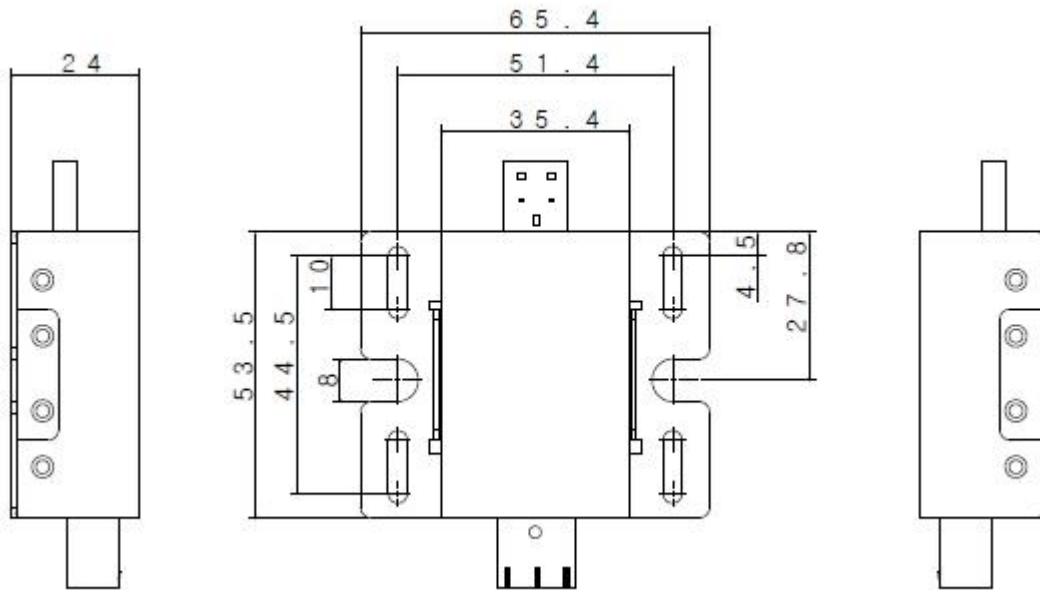


➤ **Other device installation**

- High speed transmission of PC & Device to both ways

**4. Product dimension**

① FU3-1R



② FU3-1T

